



**DEPARTMENT OF REGULATORY AND ECONOMIC RESOURCES (RER)
BOARD AND CODE ADMINISTRATION DIVISION
NOTICE OF ACCEPTANCE (NOA)**

**MIAMI-DADE COUNTY
PRODUCT CONTROL SECTION**
11805 SW 26 Street, Room 208
Miami, Florida 33175-2474
T (786) 315-2590 F (786) 315-2599
www.miamidade.gov/economy

**PrimeSource Building Products, Inc. (TX)
1321 Greenway Drive
Irving, TX 75038**

SCOPE:

This NOA is being issued under the applicable rules and regulations governing the use of construction materials. The documentation submitted has been reviewed and accepted by Miami-Dade County RER-Product Control Section to be used in Miami Dade County and other areas where allowed by the Authority Having Jurisdiction (AHJ).

This NOA shall not be valid after the expiration date stated below. The Miami-Dade County Product Control Section (In Miami Dade County) and/or the AHJ (in areas other than Miami Dade County) reserve the right to have this product or material tested for quality assurance purposes. If this product or material fails to perform in the accepted manner, the manufacturer will incur the expense of such testing and the AHJ may immediately revoke, modify, or suspend the use of such product or material within their jurisdiction. RER reserves the right to revoke this acceptance, if it is determined by Miami-Dade County Product Control Section that this product or material fails to meet the requirements of the applicable building code. This product is approved as described herein, and has been designed to comply with the Florida Building Code, including the High Velocity Hurricane Zone.

DESCRIPTION: Pro-Twist Concrete, Masonry and Wood Screws

APPROVAL DOCUMENT: Drawing No. AD18-19, titled "Pro-Twist Concrete and Masonry Screws", sheet 1 of 1, dated 01/22/2019, prepared by MCY Engineering, Inc., signed and sealed by Yiping Wang, P.E., bearing the Miami-Dade County Product Control revision stamp with the Notice of Acceptance (NOA) number and expiration date by the Miami-Dade County Product Control Section.

MISSILE IMPACT RATING: None

LABELING: Each box shall bear a permanent label with the manufacturer's name or logo, city, state and following statement: "Miami-Dade County Product Control Approved", unless otherwise noted herein.

RENEWAL of this NOA shall be considered after a renewal application has been filed and there has been no change in the applicable building code negatively affecting the performance of this product.

TERMINATION of this NOA will occur after the expiration date or if there has been a revision or change in the materials, use, and/or manufacture of the product or process. Misuse of this NOA as an endorsement of any product, for sales, advertising or any other purposes shall automatically terminate this NOA. Failure to comply with any section of this NOA shall be cause for termination and removal of NOA.

ADVERTISEMENT: The NOA number preceded by the words Miami-Dade County, Florida, and followed by the expiration date may be displayed in advertising literature. If any portion of the NOA is displayed, then it shall be done in its entirety.

INSPECTION: A copy of this entire NOA shall be provided to the user by the manufacturer or its distributors and shall be available for inspection at the job site at the request of the Building Official.

This NOA **renews and revises** NOA # 17-1005.01 and consists of this page 1 and evidence pages E-1, E-2 and E-3, as well as approval document mentioned above.

The submitted documentation was reviewed by **Carlos M. Utrera, P.E.**



[Handwritten Signature]
03/07/2019

**NOA No. 18-1115.02
Expiration Date: October 4, 2023
Approval Date: March 14, 2019
Page 1**

NOTICE OF ACCEPTANCE: EVIDENCE SUBMITTED

1. Evidence submitted under previous NOAs

A. DRAWINGS *“Submitted under NOA #12-0809.02”*

1. Drawings No. **PBP.12001**, titled “Pro-Twist Concrete and Masonry Screws”, sheet 1 of 1, dated 07/05/2012, with last revision dated 10/31/2012, prepared by Nu-Wind Engineering, signed and sealed by Christian Langley, P.E.

B. TESTS *“Submitted under NOA # 05-0526.03”*

1. Test report on Tension and Shear Strength of anchor in Concrete per ASTM E488 and in wood per ASTM D1761, prepared by Construction Testing Corporation, Test Report No. **06-010**, dated 03/31/2007, signed and sealed by Yamil G. Kuri, P.E.

C. CALCULATIONS *“Submitted under NOA #12-0809.02”*

1. Evaluation of test results and dimensional tables prepared by Nu-Wind Engineering, dated 07/20/2012, signed and sealed by Christian Langley, P.E.

“Submitted under NOA # 05-0526.03”

2. Anchors capacity calculations prepared R W Building Consultants, Inc., dated 06/29/2007 and 08/08/2007, signed and sealed by Wendell W. Haney, P.E.

D. QUALITY ASSURANCE

1. Miami-Dade Department of Regulatory and Economic Resources (RER)

E. MATERIAL CERTIFICATIONS *“Submitted under NOA # 05-0526.03”*

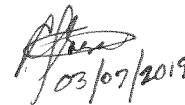
1. Test report on corrosion resistance per ASTM G-85, Annex 5, prepared by Testing Evaluation Laboratories, Inc, Test Report No. **TEL 05-0930-50**, dated 09/30/2005, signed by Vivian K. Wright.

F. STATEMENTS *“Submitted under NOA #12-0809.02”*

1. Statement letters of code conformance to 2010 FBC and no financial interest issued by Nu-Wind Engineering, dated 08/02/2012, signed and sealed by Christian Langley, P.E.
2. Distributor agreement dated 08/20/2007.

“Submitted under NOA # 05-0526.03”

3. Code compliance and no financial letter issued by R W Building Consultants, Inc., dated 09/07/2007, signed and sealed by Wendell W. Haney, P.E.



03/07/2019

Carlos M. Utrera, P.E.
Product Control Examiner
NOA No. 18-1115.02
Expiration Date: October 4, 2023
Approval Date: March 14, 2019

NOTICE OF ACCEPTANCE: EVIDENCE SUBMITTED

2. Evidence submitted under NOA # 17-1005.01

A. DRAWINGS

1. Drawing No. **AD18-19**, titled "Pro-Twist Concrete and Masonry Screws", sheet 1 of 1, dated 03/16/2018, prepared by MCY Engineering, Inc., signed and sealed by Yiping Wang, P.E.

B. TESTS

1. None.

C. CALCULATIONS

1. None.

D. QUALITY ASSURANCE

1. Miami-Dade Department of Regulatory and Economic Resources (RER)

E. MATERIAL CERTIFICATIONS

1. None.

F. STATEMENTS

1. Statement letters of code conformance to the 6th edition (2017) FBC and of no financial interest issued by MCY Engineering, Inc., dated 03/27/2018, signed and sealed by Yiping Wang, P.E.
2. Testing contract letter issued by Hurricane Engineering & Testing Inc., dated 02/09/2018, signed by Waqar Ali.



03/07/2019

Carlos M. Utrera, P.E.
Product Control Examiner
NOA No. 18-1115.02
Expiration Date: October 4, 2023
Approval Date: March 14, 2019

NOTICE OF ACCEPTANCE: EVIDENCE SUBMITTED

3. New evidence submitted

A. DRAWINGS

1. Drawing No. **AD18-19**, titled “Pro-Twist Concrete and Masonry Screws”, sheet 1 of 1, dated 01/22/2019, prepared by MCY Engineering, Inc., signed and sealed by Yiping Wang, P.E.

B. TESTS

| | <u>Test Report</u> | <u>Standard</u> | <u>Date</u> | <u>Signature</u> |
|----|---------------------------|------------------------|--------------------|---------------------------|
| 1. | HETI-18-A1021 | ASTM E488-15 | 10/01/18 | Rafael E. Droz-Seda, P.E. |
| 2. | HETI-18-C100 | ASTM C39-18 | 07/31/18 | Rafael E. Droz-Seda, P.E. |
| 3. | HETI-18-C101 | ASTM C39-18 | 08/06/18 | Rafael E. Droz-Seda, P.E. |
| 4. | HETI-18-S303 | ASTM G85-11 | 02/15/19 | Rafael E. Droz-Seda, P.E. |
| 5. | HETI-18-S304 | ASTM G85-11 | 02/15/19 | Rafael E. Droz-Seda, P.E. |
| 6. | HETI-18-M515 | ASTM F606-16 | 09/26/18 | Rafael E. Droz-Seda, P.E. |
| 7. | HETI-18-M530 | ASTM F606-16 | 09/26/18 | Rafael E. Droz-Seda, P.E. |

C. CALCULATIONS

1. Anchors capacity calculations prepared by MCY Engineering, Inc., dated 01/24/2019, signed and sealed by Yiping Wang, P.E.

D. QUALITY ASSURANCE


1. Miami-Dade Department of Regulatory and Economic Resources (RER)

E. MATERIAL CERTIFICATIONS

1. None.

F. STATEMENTS

1. Statement letter of code conformance to the 6th edition (2017) FBC issued by MCY Engineering, Inc., dated 01/24/2019, signed and sealed by Yiping Wang, P.E.
2. Statement letter of no financial interest issued by MCY Engineering, Inc., dated 01/24/2019, signed and sealed by Yiping Wang, P.E.



03/07/2019

Carlos M. Utrera, P.E.
Product Control Examiner
NOA No. 18-1115.02
Expiration Date: October 4, 2023
Approval Date: March 14, 2019

PRIMESOURCE BUILDING PRODUCTS, INC. PRO-TWIST CONCRETE AND MASONRY SCREWS

COMPLIANCE SUMMARY:

CODE: 2017 FLORIDA BUILDING CODE COMPLIANT

HVHZ: HVHZ COMPLIANT

MATERIALS: SAE 1018 OR SAE 1022 STEEL WITH
GALVANIZED BASE COAT (EXCEEDS G40/ASTM A653M)+
BLUE AND WHITE ORGANIC COATING MATERIAL TOP COAT

3/16" SCREWS: $F_y = 167.9 \text{ ksi}$
 $F_u = 189.1 \text{ ksi}$

1/4" SCREWS: $F_y = 170.9 \text{ ksi}$
 $F_u = 186.5 \text{ ksi}$

GENERAL NOTES:

1- ANCHORS SHALL BE INSTALLED IN ACCORDANCE WITH MANUFACTURERS' RECOMMENDATION.

2-ANCHOR EMBEDMENT AND EDGE DISTANCE EXCLUDES STUCCO, FOAM, BRICK, AND OTHER WALL FINISHES.

3-ALLOWABLE DESIGN LOAD CAPACITIES ARE BASED ON ULTIMATE LOAD DIVIDED BY SAFETY FACTOR AS FOLLOWS:

- CONCRETE: SAFETY FACTOR = 4
- MASONRY: SAFETY FACTOR = 5
- WOOD: SAFETY FACTOR = 4

4- SUBSTRATES SHALL CONFORM TO:

- CONCRETE: ACI 318
- MASONRY: ASTM C90
- WOOD: SPECIFIC GRAVITY $G=0.56 \text{ MIN.}$

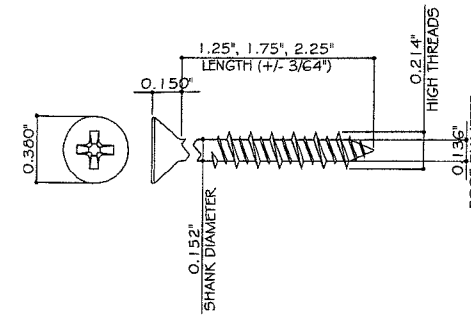
5-ANCHORS SHALL **NOT** BE INSTALLED INTO CRACKED CONCRETE AS DEFINED IN ACI 355.2.

6-ALLOWABLE DESIGN LOAD CAPACITIES FOR WOOD SUBSTRATE ARE LESSER OF VALUES DETERMINED FROM TESTING(ASTM D 1761)AND VALUES DETERMINED PER NDS-05 USING THE FOLLOWING SPECIFICATIONS:

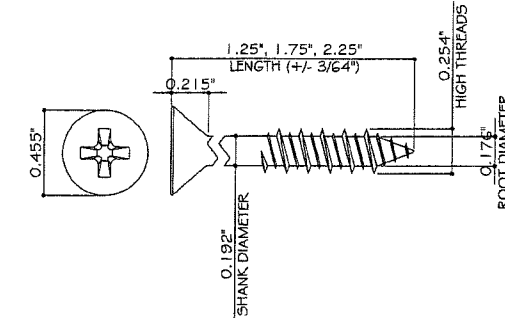
- SPECIFIC GRAVITY $SG=0.55$
- SIDE MEMBER $L_s=0.75"$
- MAIN MEMBER $L_m=1.5"$
- PENETRATION $P_p=1.0"$

7- FOR INSTALLATION TO WOOD SUBSTRATE, USE CODE-REFERENCED STANDARDS (e.g. NDS) WITH SPECIFIC MAIN MEMBER MATERIAL AND THREAD PENETRATION TO DETERMINE CONNECTION CAPACITY. IN NO CASE SHALL THE ANCHOR CAPACITY BE GREATER THAN ALLOWABLE LOADS SHOW HEREIN.

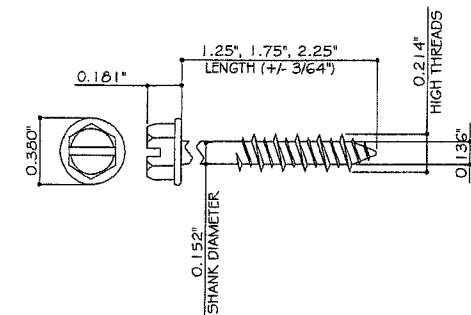
8- THIS PRODUCT EVALUATION DOCUMENT IS GENERIC AND DOES NOT PROVIDE INFORMATION FOR A SPECIFIC SITE. FOR SITE CONDITIONS DIFFERENT FROM THE CONDITIONS DETAILED HEREIN, A LICENSED PROFESSIONAL ENGINEER OR REGISTERED ARCHITECT SHALL PREPARE SITE-SPECIFIC DOCUMENTS FOR USE IN CONJUNCTION WITH THE APPROVAL AND APPLY FOR MIAMI-DADE COUNTY PRODUCT CONTROL ONE-TIME NOTICE OF ACCEPTANCE.



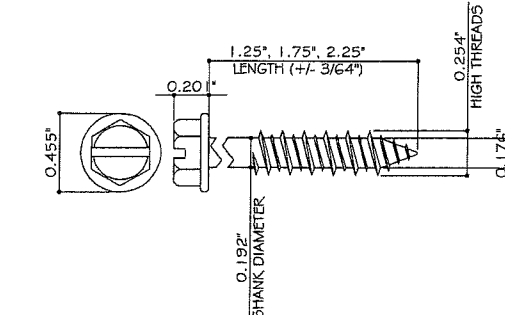
PHILLIPS FLAT HEAD



PHILLIPS FLAT HEAD



SLOTTED HEX WASHER HEAD



SLOTTED HEX WASHER HEAD

1 3/16" CONCRETE & MASONRY SCREWS

- ANCHOR SPACING: 3" MIN.
- PILOT HOLE DIAMETER: 5/32" TYP.
- PILOT HOLE DEPTH: 1/4" DEEPER THAN EMBEDMENT

NOTE: USE PRIMESOURCE CARBIDE MASONRY BITS

2 1/4" CONCRETE & MASONRY SCREWS

- ANCHOR SPACING: 4" MIN.
- PILOT HOLE DIAMETER: 3/16" TYP.
- PILOT HOLE DEPTH: 1/4" DEEPER THAN EMBEDMENT

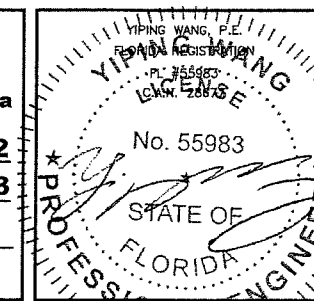
NOTE: USE PRIMESOURCE CARBIDE MASONRY BITS

| WOOD SUBSTRATE (SG=0.56 MIN.) | | | | |
|---------------------------------|------------------------|-------------------------|---------------|-------------|
| ALLOWABLE CAPACITIES PER ANCHOR | | | | |
| NOMINAL DIAMETER | MINIMUM EMBEDMENT (in) | MINIMUM EDGE DIST. (in) | TENSION (LBS) | SHEAR (LBS) |
| 3/16 | 1 | 3/4 | 151 | - |
| | 1 1/4 | 3/4 | 195 | - |
| | 1 1/2 | 3/4 | 258 | 142 |
| 1/4 | 1 3/4 | 3/4 | 308 | - |
| | 1 | 3/4 | 137 | - |
| | 1 1/4 | 3/4 | 198 | - |
| 1/4 | 1 1/2 | 3/4 | 252 | 247 |
| | 1 3/4 | 3/4 | 277 | - |

| CONCRETE SUBSTRATE | | | | | | |
|---------------------------------|------------------------|-------------------------|-------------------|-------------|-------------------|-------------|
| ALLOWABLE CAPACITIES PER ANCHOR | | | | | | |
| NOMINAL DIAMETER | MINIMUM EMBEDMENT (in) | MINIMUM EDGE DIST. (in) | 2000 PSI CONCRETE | | 3000 PSI CONCRETE | |
| | | | TENSION (LBS) | SHEAR (LBS) | TENSION (LBS) | SHEAR (LBS) |
| 3/16 | 1 | 1 7/8 | 125 | 197 | 206 | 258 |
| | 1 1/4 | 1 7/8 | 172 | - | 253 | - |
| | 1 1/2 | 1 7/8 | 293 | 254 | 371 | 273 |
| 1/4 | 1 | 2 1/4 | 151 | 226 | 165 | 323 |
| | 1 1/4 | 2 1/4 | 222 | - | 298 | - |
| | 1 1/2 | 2 1/4 | 317 | 331 | 476 | 287 |

| HOLLOW MASONRY SUBSTRATE | | | | |
|---------------------------------|-------------------|--------------------|---------------|-------------|
| ALLOWABLE CAPACITIES PER ANCHOR | | | | |
| NOMINAL DIAMETER | MINIMUM EMBEDMENT | MINIMUM EDGE DIST. | TENSION (LBS) | SHEAR (LBS) |
| 3/16 | 1 1/4 | 1 | 159 | 95 |
| | 1 1/4 | 1 1/4 | 127 | - |
| | 1 1/4 | 1 7/8 | 138 | 182 |
| 1/4 | 1 1/4 | 1 1/4 | 127 | 125 |
| | 1 1/4 | 2 1/2 | 161 | 251 |

MIAMI-DADE COUNTY
PRODUCT REVISED
as complying with the Florida Building Code
NOA-No. **18-1115.02**
Expiration Date **10/04/2023**
By *[Signature]*
Miami-Dade Product Control



MCY ENGINEERING, INC.
GLAZING CONSULTANTS
8501 SW 124 Ave. Ste. 205A
MIAMI, FL 33163
P: 305.271.0117
F: 305.279.6818
www.MCYEngineering.com MCY.Engineering@Att.net

PRO-TWIST CONCRETE & MASONRY SCREWS
PRIMESOURCE BUILDING PRODUCTS, INC.
BUILDINGS PRODUCTS, INC.
1321 GREENGAY DRV. IRVING, TX 75038
TEL. (972)-999-8500

| | |
|--------------------------|-------------------|
| Drawn Date 03/18/2018 | Scale AS SHOWN |
| DRAWING NO. AD18-19 | |
| Sheet No. 1 | |
| 1 OF 01 | |

MAR 06 2019